

MinXray Podiatry

Stationary X-ray System

PS200+

MinXray's popular stationary unit is better than ever!

- **Compact and Versatile** – Unit can be assembled with tubehead on left or right side.
- **Open Design** – Facilitates all weight-bearing imaging and accommodates patients in wheelchairs.
- **Unequaled Patient Safety and Comfort** – Includes three safety and support rails.
- **Superior Image** – 24" focal film distance.
- **Two Cassette Trays Included** – For 8" x 10" and 10" x 12" split films, and ankle imaging.

XS Remote Exposure Switch



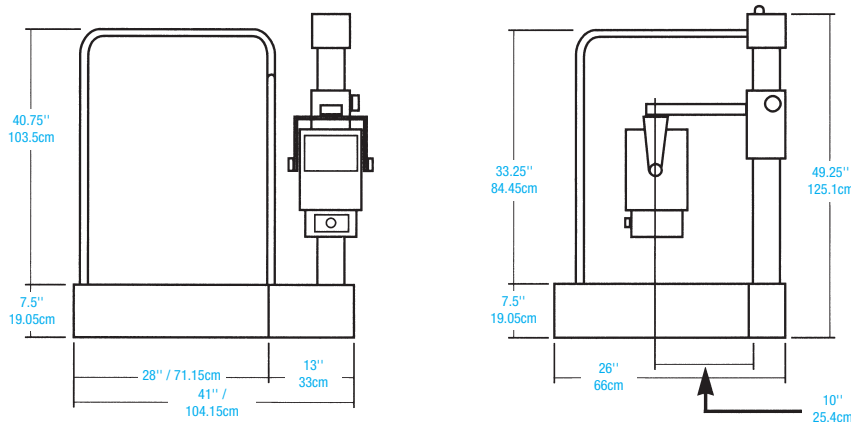
The optional XS Remote Exposure Switch can be wall mounted for remote exposure actuation. A 30 foot (9.1 meter) cable is supplied for connection to the x-ray tubehead.



PS200+

Unique Space Saving Design

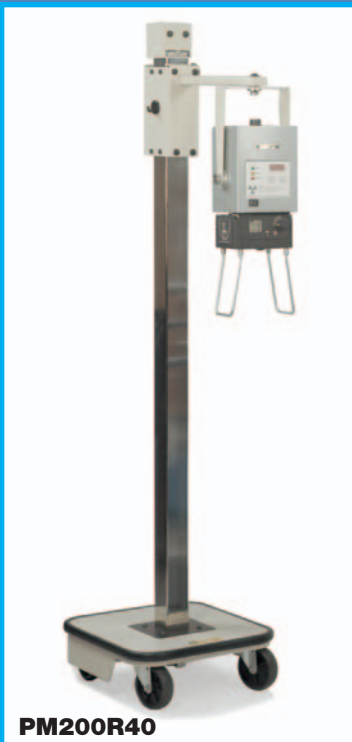
Dimensions



Net Weight: 185 lb / 84 kg • Shipping Weight: 220 lb / 100 kg

MinXray Podiatry

Mobile X-ray System



PM200R40

Height 76" / 193 cm
 Max Depth (front to back) . . . 35" / 89 cm
 Base Size 20" / 50 cm x 19" / 48 cm
 Net Weight 175 lb / 80 kg
 Shipping Weight 210 lb / 95 kg

PM200R40

Easy-to-use mobile unit for weight-bearing and non-weightbearing imaging.

■ **Maximum Mobility** – Rolls easily between rooms, passes through standard doors.

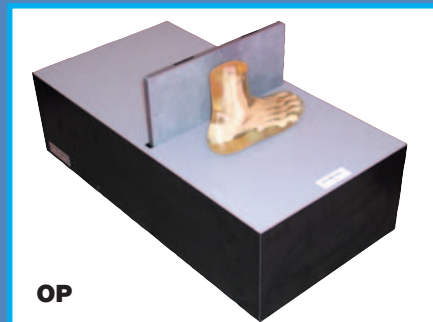
■ **Versatile Positioning** – Smooth vertical travel of tubehead on column provides for a wide range of imaging options including views of patients in wheelchairs, exam chairs, surgical tables or on the orthoposer. Tubehead can be raised to approximately 56" above floor.

■ **Efficient Design** – Counterweighted stand results in compact size and perfect balance. Rubber strip around base protects woodwork and walls from damage.



Simple Touch Pad X-ray Control

OP ORTHOPOSER



OP

Height7 in / 17.8 cm
 Length28 in / 71.1 cm
 Width14.31 in / 36.4 cm
 Net Weight15 lb / 6.8 kg
 Shipping Weight33 lb / 15 kg

■ Holds any cassette up to 10"x12" for lateral projections of foot and ankle.

■ Built-in lead shield provides for 1/2 film exposure.

■ Comes with metal holder for 8"x10" and 10"x12" cassettes.

■ Can be used with most x-ray units.

P200R24 AND P200R40 TUBEHEAD AND COLLIMATOR SPECIFICATIONS:

Output12 mA @ 63 kVp
 TimerDigital electronic: 0.08 - 2.0 sec, 16 steps
 Input Requirements110-130 VAC, 60 Hz, 10 amps
 X-ray tubeToshiba D-102
 Focal spot size1.0 x 1.0 mm

Total filtration 2.3 mm Al equivalent
 Exposure cord 8 feet / 2.44 meters
 Exposure switch Single stage, dead man type, hand held
 Power cord 10 feet / 3.05 meters
 Overload protection Built-in thermal
 Warranty 3 year limited

Collimator for P200R24 (stationary x-ray unit): Collimax Model #R120H Continuously adjustable light-beam type with central x-ray beam indicator and inclinometer.

Tubehead/Collimator weight 28 lb 10 oz / 13 kg
 Size 6.75" W x 13" L x 7" H / 17.1 cm x 33.02 cm x 17.75 cm

Collimator for P200R40 (mobile x-ray unit): Advantech Model #R72-ET Continuously adjustable light-beam type with central x-ray beam indicator and inclinometer.

Tubehead/Collimator weight 33 lb / 15 kg
 Size 8.5" W x 13" L x 7.6" H / 21.6 cm x 33.02 cm x 19.05 cm

ORDERING INFO

PM200R40 - Mobile X-ray unit **PS200+** - Stationary X-ray unit
OP - Orthoposer **XS** - Remote Exposure Switch

For more information about MinXray products consult your local dealer:

MINXRAY® INC.

3611 Commercial Avenue
 Northbrook, Illinois 60062-1822, USA
 1-847-564-0323
 Toll Free 1-800-221-2245
 FAX: 1-847-564-9040
 E-mail: info@minxray.com
 Web: www.minxray.com